



**Assembly, Installation, Operation and
Maintenance Instructions
Aggressive Running Boards -Van**

**Part Number:
ARBV006B**

60 - 180 minutes

Dealer / Installer: Provide a copy of these instructions to the end user of this product. These instructions provide important operating and safety information for proper usage of this product. Demonstrate the proper use of the product with the end user. Have the end user demonstrate that they understand the proper use of the product.

End User: Read and follow all instructions included in this manual. Ask your Dealer / Installer for assistance if you do not understand the proper use of the product. Never remove any decals from the product. Failure to follow these instructions can result in injury or death.

⚠️ WARNING ⚠️

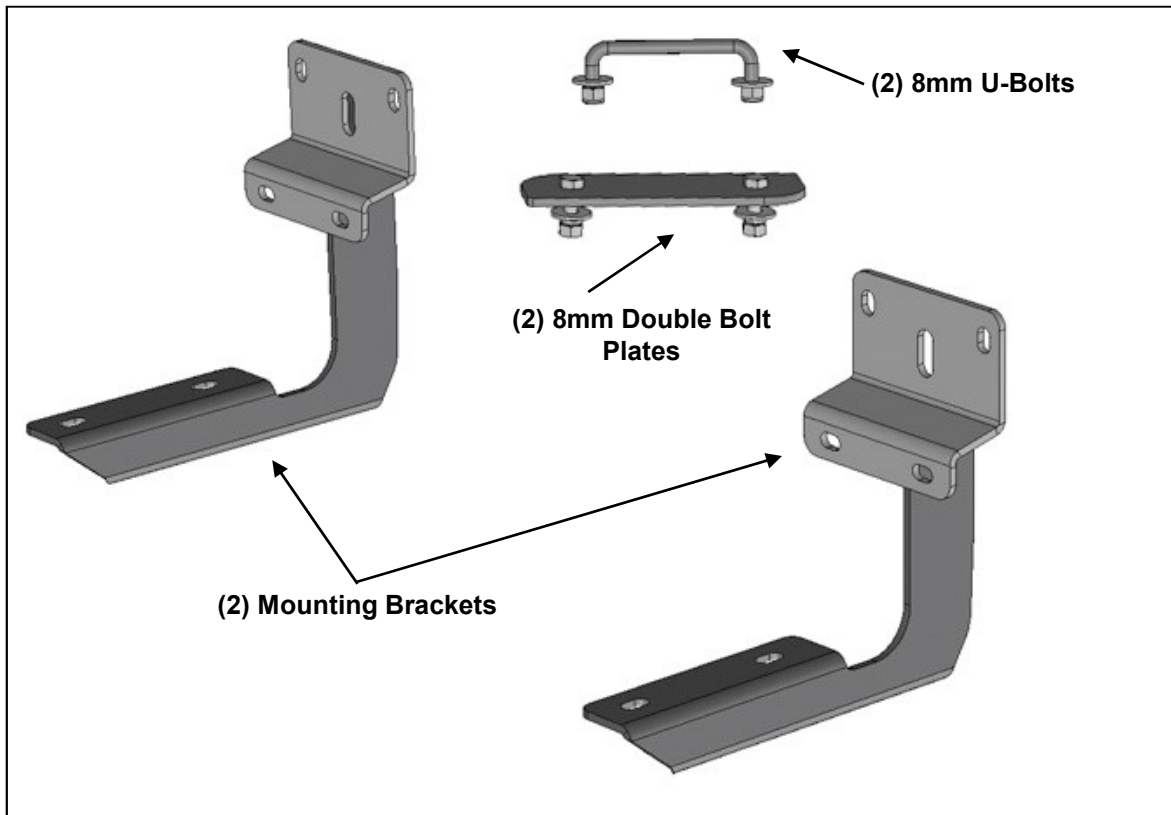
APPLICATION: 2015-Current TRANSIT WITH PASSENGER SIDE SLIDING DOOR FULL SIZE VAN

PARTS LIST

Qty	Part Description	Qty	Part Description
1	Aggressive Running Board 53"	4	8-1.25mm x 25mm Hex Bolts
2	Mounting Brackets	12	8mm x 24mm x 2mm Flat Washers
2	8mm Double Bolt Plates	8	8mm Lock Washers
2	8mm U-Bolts	4	8mm Hex Nuts
4	8mm "U" Clips	4	8mm Nylon Lock Hex Nuts
		4	8mm Plastic Retainers

TORQUE SPECIFICATION

Size	Torque
8 mm	20 ft/lbs



INSTALLATION PROCEDURE:

REMOVE CONTENTS FROM BOX. VERIFY ALL PARTS ARE PRESENT. READ INSTRUCTIONS CAREFULLY BEFORE STARTING INSTALLATION. DRILLING IS REQUIRED. ASSISTANCE IS RECOMMENDED.

1. Start the installation under the passenger side of the vehicle. Release the lower clips attaching the plastic trim to the bottom of the body, (Figure 1). NOTE: From below, insert a small or medium sized flat blade screwdriver into the rectangular hole in the center of the clip. Carefully release each side (inside to outside, not front to back) of the plastic clip and pull the rectangular center pin down from the clip, (Figure 2). Do not twist the clip, gently pull it straight down once it is released. It is not necessary to completely remove the trim, only release the clips attaching the bottom of the trim to the vehicle.
2. Open the sliding side cargo door. Directly below the opening for the door, locate the (2) factory holes or threaded studs in the side of the body panel, (Figure 3). Remove excess undercoating from all mounting locations so that Brackets will install flat against body panel and pinch weld.
3. Determine if vehicle is equipped with (2) factory holes or threaded studs.

Models without factory studs:

- a) Locate the (2) factory holes in the side of the body panel, (Figure 4). Insert (1) 8mm U-Bolt into and through the (2) holes, (Figure 5). Thread 8mm Plastic Retainers onto the ends of the U-Bolt to hold it in place. NOTE: Retainers are designed to help hold the U-Bolt in place but are not mandatory for installation.
- b) Select (1) Mounting Bracket. Attach the Bracket to the U-Bolt with (2) 8mm Flat Washers and (2) 8mm Nylon Lock Hex Nuts, (Figures 5 & 6).
- c) Hold Bracket up tight to bottom of body panel and tighten hardware.

Models with factory studs:

- a) Attach (1) Bracket to the factory studs with (2) 8mm Flat Washers and (2) 8mm Nylon Lock Hex Nuts, (Figures 6 & 7).
4. Mark the location of the (2) bottom slots in the Bracket onto the pinch weld, (Figure 6). IMPORTANT: Do not drill through the welds in the pinch weld. Slide the Bracket forward or back to move the slots away from the factory spot welds. Do not drill into or through the outer plastic rocker panel cover. Remove the Bracket. Use a 3/8" drill bit to drill (2) holes through the pinch weld only. NOTE: Drill the holes as far away from the bottom edge of the pinch weld as possible.

IMPORTANT! Any cutting or drilling tool may break or shatter. Government regulations require safety glasses & equipment at all times when cutting or drilling.

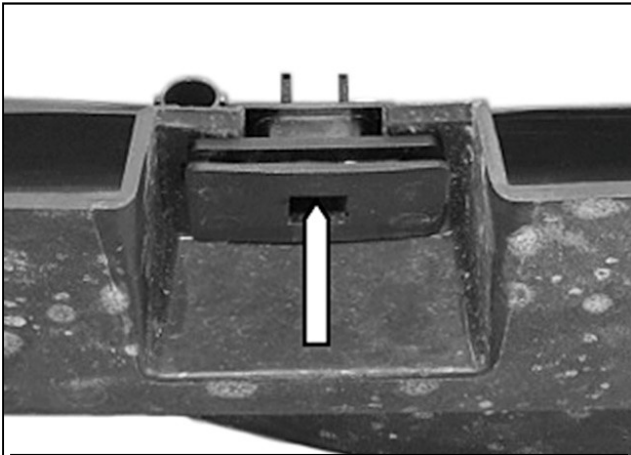
5. Select (2) 8mm U-Clips. Slide the U-Clips over the pinch weld with the nut toward the outside, (Figure 7). Reinstall the Bracket, (Step 3). Attach the Bracket to the pinch weld with (2) 8mm x 25mm Hex Bolts, (2) 8mm Lock Washers and (2) 8mm Flat Washers, (Figure 8). Leave hardware loose at this time.
6. Continue along the side of the vehicle to the rear mounting location, (Figure 9). NOTE: Rear mounting location will be similar to the front mounting location. Repeat Steps 2—5 to install the rear Mounting Bracket, (Figures 10 & 11).
7. Carefully unwrap the Running Board. Place the Running Board on top of the (2) Brackets. Select (2) 8mm Double Bolt Plates. Locate the channels in the bottom of the Running Board, (Figure 12). Insert the Bolt Plates into the channels in the bottom of the Running Board closest to the Brackets. Lift the Running Board up and guide the studs through the Brackets.
8. Attach the Running Board to the Brackets with (4) 8mm Flat Washers, (4) 8mm Lock Washers and (4) 8mm Hex Nuts, (Figure 13). NOTE: The Running Board is designed to fit close to the vehicle. It may be necessary to loosen the Bracket hardware and tilt the Brackets downward to insert the Running Board between the Brackets and the body. Do not tighten hardware at this time.
9. Level and adjust the Running Board and fully tighten all hardware. Reinstall the plastic trim along the bottom of the body. IMPORTANT: Minor trimming may be required around 8mm U-Clips. Temporarily remove the Running Board for access to trim plastic. Use a sharp knife or hacksaw blade to trim plastic as required.
10. Do periodic inspections to the installation to make sure that all hardware is secure and tight.

To protect your investment, wax this product after installing. Regular waxing is recommended to add a protective layer over the finish. Do not use any type of polish or wax that may contain abrasives that could damage the finish.

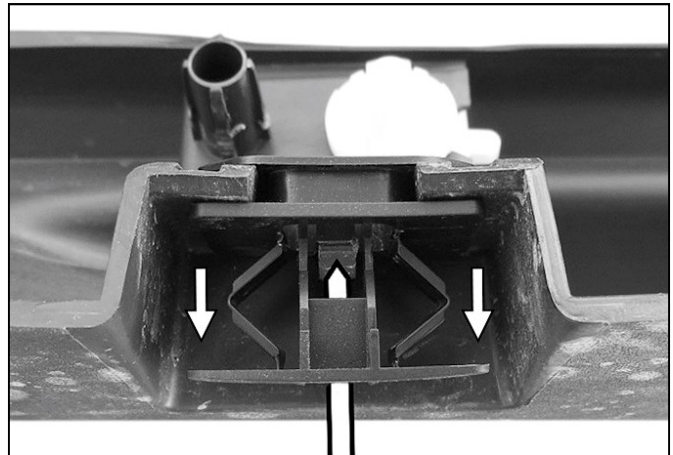
Mild soap may be used also to clean the Running Board.

INSTALLATION IMAGES:

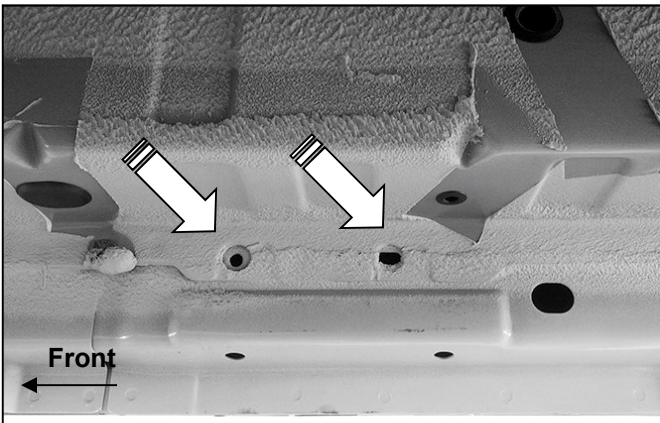
Passenger/right Side Installation Pictured



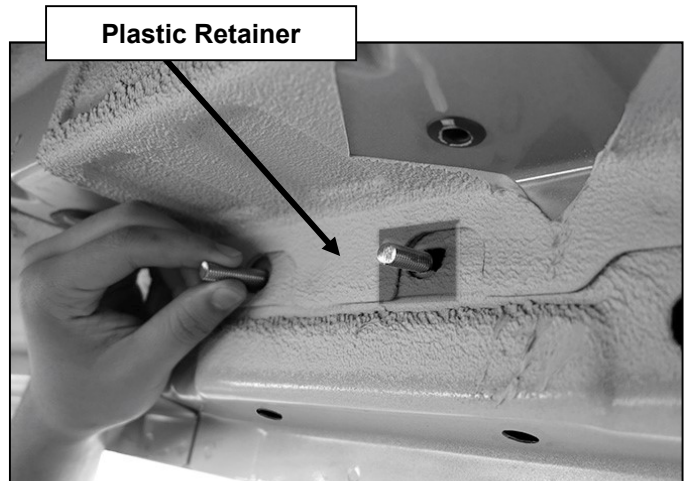
(Fig 1) Insert flat blade screwdriver into square opening in center of plastic clip to release



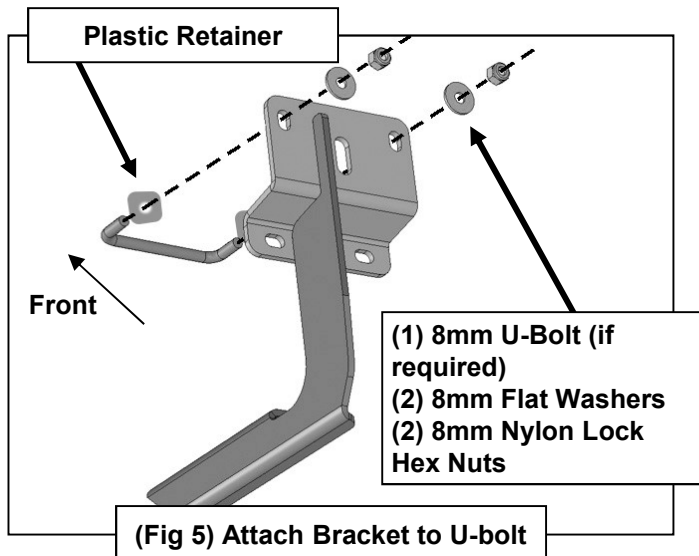
(Fig 2) Release both sides of clip and pull insert to release. Do not try to pull the clip out of the trim, only release clip as pictured



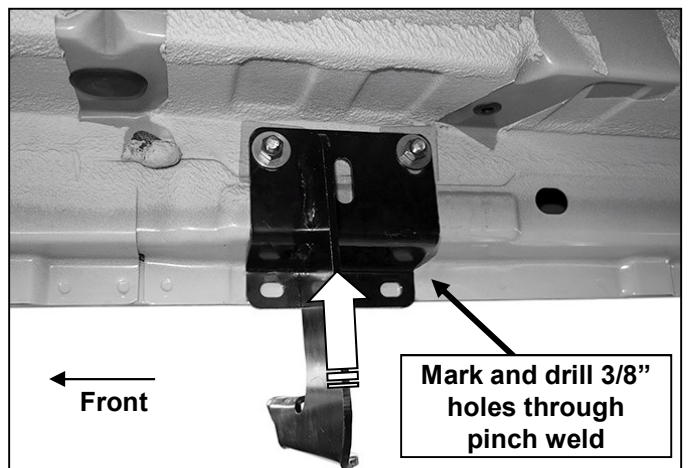
(Fig 3) Locate the front mounting location for Bracket. On vehicles with holes as pictured, insert 8mm U-Bolt into and out factory holes in body panel



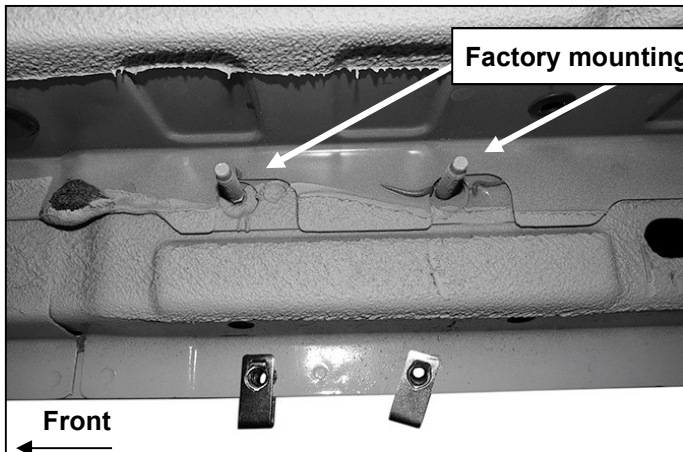
(Fig 4) Insert 8mm U-Bolt into and out factory holes in body panel. Thread 8mm Plastic Retainer onto U-Bolt to help hold in place



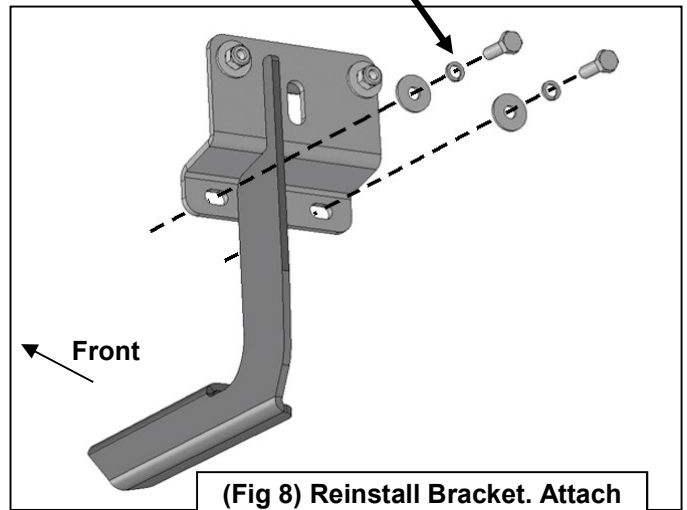
(Fig 5) Attach Bracket to U-bolt



(Fig 6) Push Bracket up tight against body panel. Mark location of bottom slots onto pinch weld

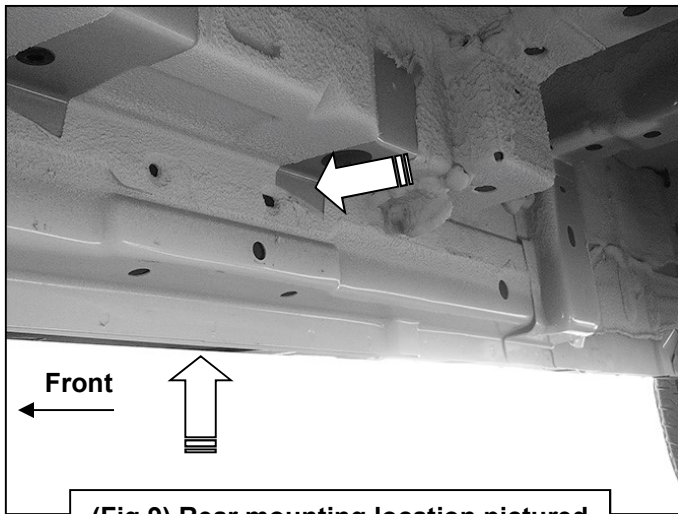


- (1) 8mm U-Bolt (if required)
- (2) 8mm Flat Washers
- (2) 8mm Nylon Lock Hex Nuts



(Fig 7) Remove Bracket. Slide 8mm Clip Nuts onto pinch weld and over drilled holes. NOTE: 8mm U-Bolt is not required on mounting location with factory mounting studs (front location pictured)

(Fig 8) Reinstall Bracket. Attach Bracket to 8mm Clip Nuts

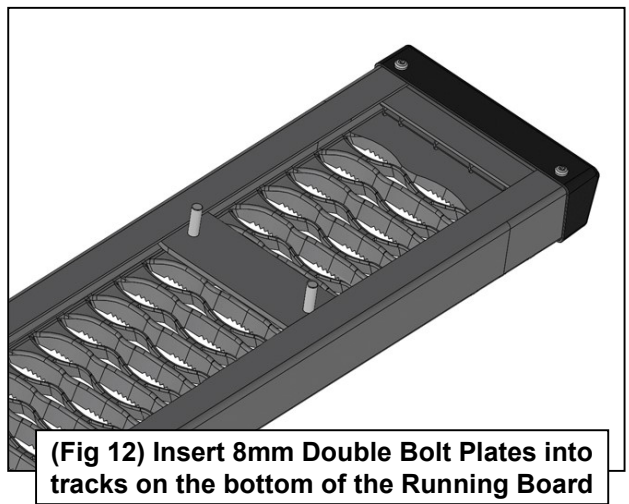
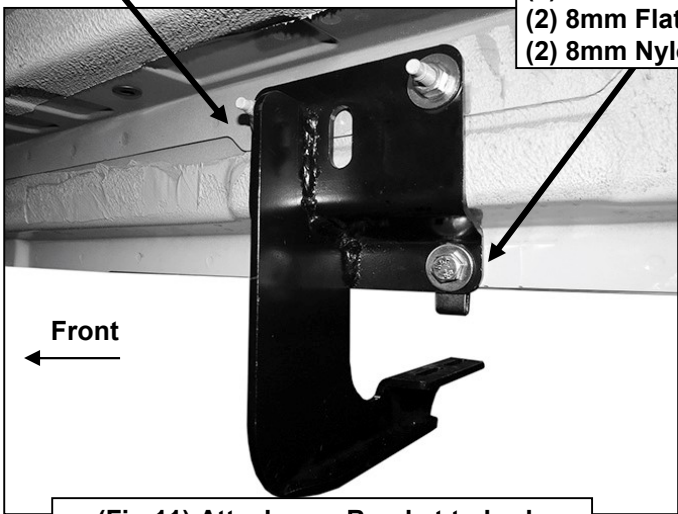


(Fig 9) Rear mounting location pictured

(Fig 10) Remove Bracket. Slide 8mm Clip Nuts onto pinch weld and over drilled holes. NOTE: 8mm U-Bolt is not required on mounting location with factory mounting studs (rear location pictured)

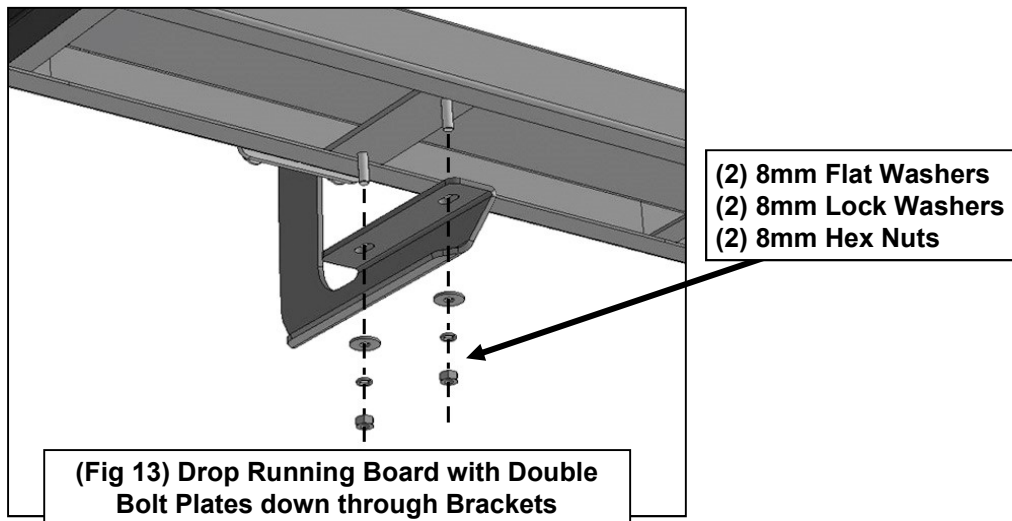
- (1) 8mm U-Bolt (if required)
- (2) 8mm Flat Washers
- (2) 8mm Nylon Lock Hex Nuts

- (1) 8mm U-Bolt (if required)
- (2) 8mm Flat Washers
- (2) 8mm Nylon Lock Hex Nuts



(Fig 11) Attach rear Bracket to body panel and 8mm Clip Nuts

(Fig 12) Insert 8mm Double Bolt Plates into tracks on the bottom of the Running Board



PRODUCT CARE

- Periodically check the product to ensure all fasteners are tight and components are intact.
- Regular waxing is recommended to protect the finish of the product.
- Use ONLY Non-Abrasive automotive wax. Use of any soap, polish or wax that contains an abrasive is detrimental and can scratch the finish leading to corrosion.
- Mild soap may be used to clean the product for both Stainless Steel and Black finish.

FAQ's

1. Hardware and mounting brackets are not aligning properly

Ensure that hardware is being used on the correct side of vehicle. In some cases, the hardware may appear the same for driver and passenger side but may alter the alignment of mounting location. Check mounting brackets for both sides.

2. Products are thumping / rattling after Installation

Ensure that all required mounting brackets / hardware's are installed & tightened correctly.
Suggest using white Lithium / regular grease between metal-to-metal contact.

3. Missing / Excess Hardware

Recheck hardware count as per the part list.

4. Product not installing properly

Ensure the Year / Make / Model as well as cab and bed dimensions are correct for the application. Review all steps for installation to ensure they were followed correctly.

5. Who should be contacted for questions regarding product / installation assistance?

www.trailfx.com / support@trailfx.com or 1-(866) 638-4870

Warranty Terms:

3 Year Limited Warranty:

TrailFX and Keystone Automotive Operations Inc. make no guarantees or warranties for products not manufactured by Keystone Automotive Operations Inc. Such products are covered solely under any applicable warranty of the manufacturer. It is always recommended that the operating instructions and warranty instructions provided by the manufacturer are followed.

Keystone Automotive Operations Inc. warrants its products to be free from manufacturing and material defects to the original purchaser for the length of warranty stated above from the date of retail purchase. If any products are found to have a manufacturing or material defect, the product will be replaced or repaired at the option of TrailFX and Keystone Automotive Operations Inc. with proof of purchase by the original purchaser. The original purchaser shall pay all transportation and shipping costs associated with the return of the defective product and the defective product shall become the property of Keystone Automotive Operations Inc.

The Warranty applies to Keystone Automotive Operations Inc. products used for individual and recreational purposes. Commercial usage of the Keystone Automotive Operations Inc. products limits the warranty to 90-days from date of purchase.

The Warranty applies only to Keystone Automotive Operations Inc. products which are found to be defective in manufacturing or material. This warranty does not apply to normal wear and tear of the finish placed on Keystone Automotive Operations Inc. products.

TrailFX and Keystone Automotive Operations Inc. are not responsible for any labor costs incurred for removal or replacement of the defective product.

TrailFX and Keystone Automotive Operations Inc. are not responsible for repair or replacement of any product under the limited warranty where the product was improperly installed, misapplied, altered, abused, neglected, overloaded, misused or damaged as a result of an accident, including any use of the product not in accordance with all product operating and safety instructions.

Without limiting the generality of the foregoing, TrailFX and Keystone Automotive Operations Inc. shall under no circumstances be liable for any incidental or consequential loss or damage whatsoever arising out of, or in any way relating to any such breach of warranty or claimed defect in, or non-performance of the products. Some states do not allow the exclusion or limitation of incidental or consequential damages, so the above exclusion or limitation may not apply to you.

This limited warranty gives you specific legal rights, and you may also have other rights that vary from state to state.